



## ASSEMBLY AND INSTALLATION

### INSTRUCTION

*Please read carefully and save this instruction, as you may need them at a later date.*

### CAUTION

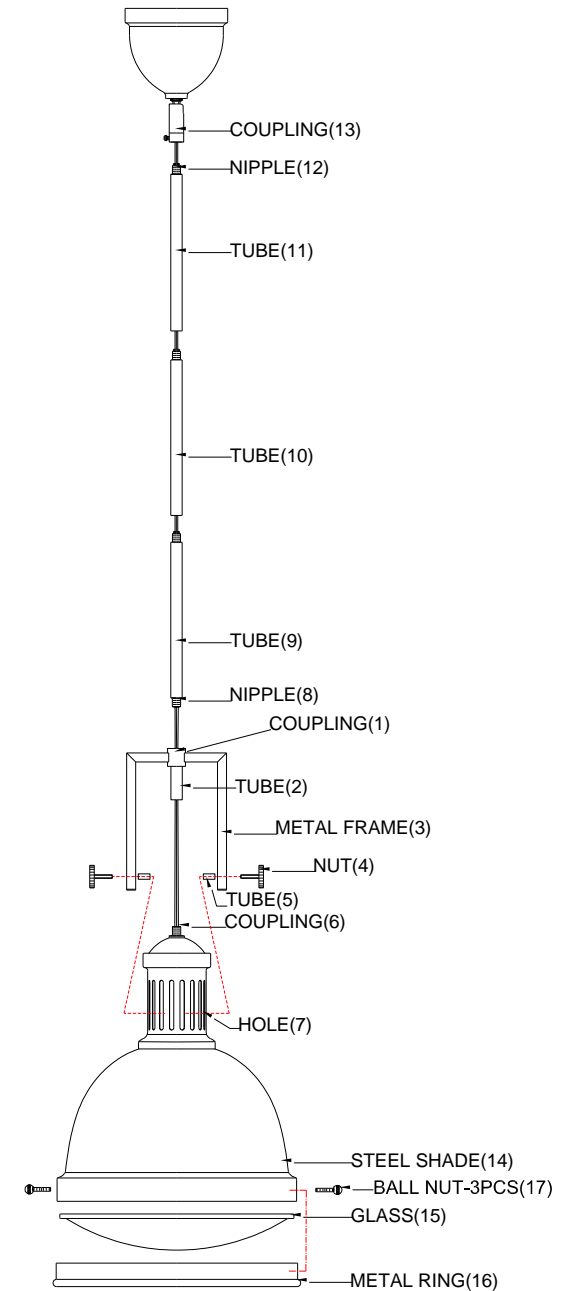
Turn off the main power at the circuit breaker before installing the fixture, in order to prevent possible shock. If you are unfamiliar with proper electrical wiring connections, please consult of a qualified electrician before installing

### Installing Step:

Remove the fixture and the mounting package from the box and make sure that no parts missing in the box.

1. Thread Tube (2) on the Metal frame (3) onto the Coupling(6), put the Tube (5) between the arm of the metal frame (3) and steel shade (14), then use the Nut (4) through the Tube (4) locked into Hole (7).
2. Thread Tube (9) into the Coupling (1) with the Nipple (8), then thread Tube (10) to Tube (9).
3. Thread Tube (11) to Tube (10), then screw Coupling (13) to the Tube (11) with Nipple (12).
4. Install bulbs: (Bulbs not including in the package)  
(Please don't exceed the maximum capacity that recommended on the Sockets)
5. Attached Glass (15) and Metal ring (116) to the Steel shade (14), then screw them with 3pcs Ball nuts (17).

INSTALLATION IS NOW COMPLETED.



**7-730-1-109**  
**7-730-1-13**